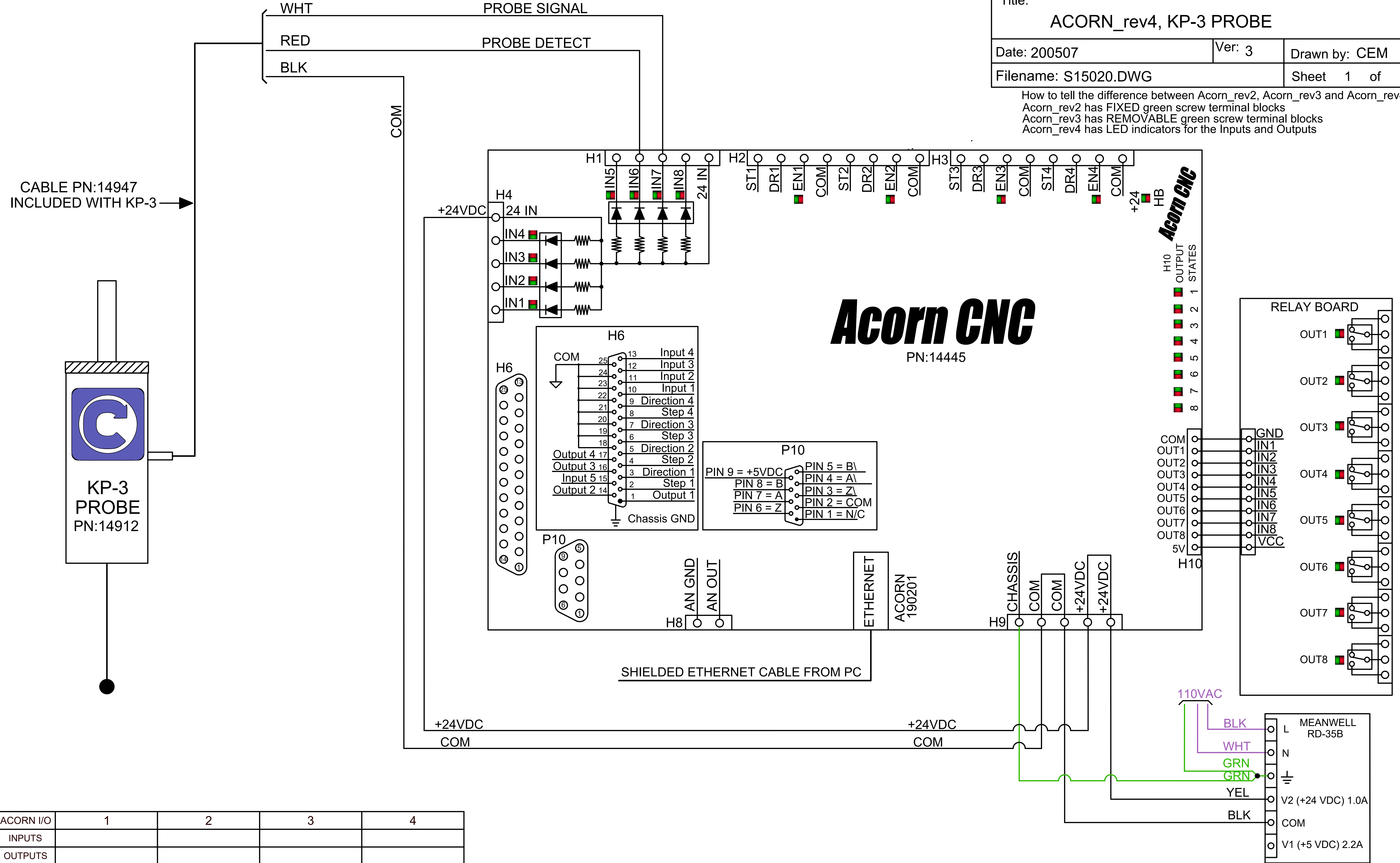


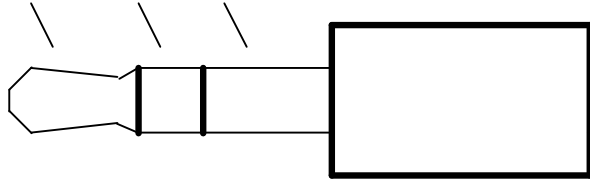
How to tell the difference between Acorn_rev2, Acorn_rev3 and Acorn_rev4
 Acorn_rev2 has FIXED green screw terminal blocks
 Acorn_rev3 has REMOVABLE green screw terminal blocks
 Acorn_rev4 has LED indicators for the Inputs and Outputs



GROUND IS GREEN
 110VAC IS VIOLET

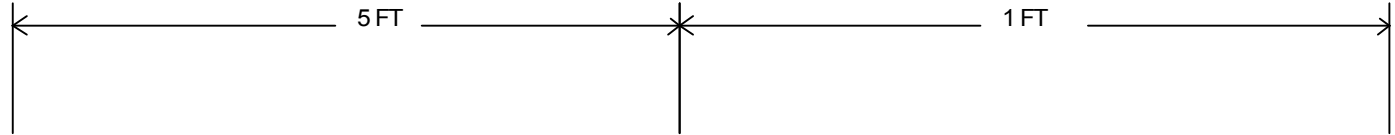
ACORN I/O	1	2	3	4
INPUTS				
OUTPUTS				
ACORN I/O	5	6	7	8
INPUTS		ProbeDetect	ProbeTripped	
OUTPUTS				

TIP RING GROUND / SHIELD



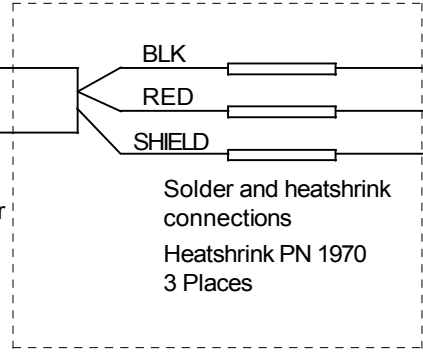
3.5mm STEREO AUDIO BARREL PLUG W/CORD
PN 7040

Barrel Connector Terminal	Wire	Signal
TIP	RED	DETECT
RING	BLK	Probe
GROUND / SHIELD	SHIELD	Shield / GND



Overall Cover

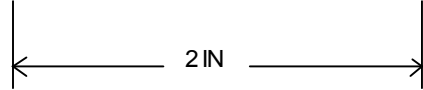
Heatshrink
PN 1783



BLK WHT PN 3027
RED RED PN 2712
SHIELD BLK PN 2590

Solder and heatshrink connections
Heatshrink PN 1970
3 Places

22 GA Wires



Signal	Color	Equivalent CPC Pin
+V SUPPLY		2
INPUT 772 TT DETECT		4
INPUT 771 PROBE DETECT	RED	6
0v COM		8
INPUT 769 PROBE MECH	WHT	5
0v COM	BLK	3
INPUT 770 PROBE DSP		1
NOT USED		
SHIELD DRAIN		7

Sub. Assy.: 14947 DWG NO: S15035

Title
KP-3 CABLE, Non-Inverting Flying Lead

Size Revision
A 200705

Date: Thursday, May 07, 2020

Sheet 1 of 1

svn://software/hardware/Cables/PROBE_TT.DSN

Filename: PROBE_TT.DSN

Drawn By: MRR